

# CARTRIDGE REPLACEMENT INSTRUCTIONS

PLEASE READ ALL INSTRUCTIONS BEFORE STARTING CARTRIDGE REPLACEMENT

## TO REMOVE GRILL:

Grasp the 4th Grill Fin and pull toward you and upward.

## TO REPLACE:

Simply push grill back into place.

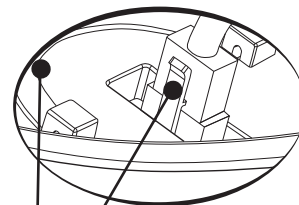
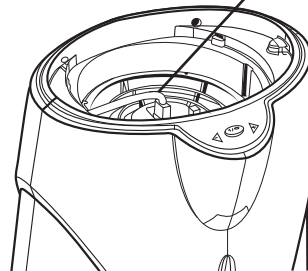
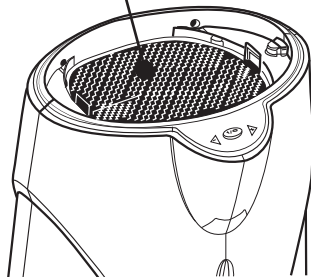


## TO REMOVE PARTICULATE SCREEN:

Pull on tabs.

## TO REPLACE:

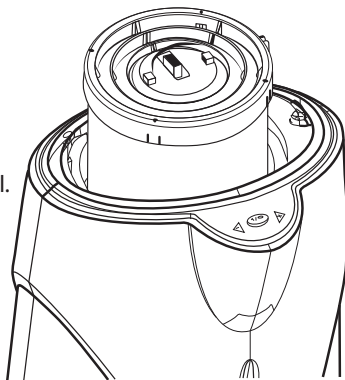
Push new screen into place.



## TO REMOVE CARTRIDGE:

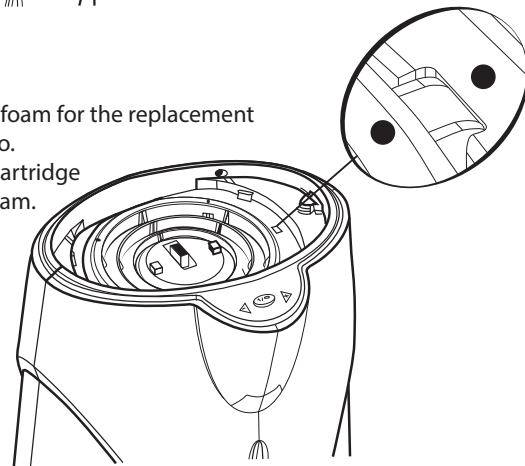
- 1- Disconnect by firmly pressing connector release tab and pulling.
- 2- Grasp metal handle and pull cartridge to remove.

- 1- Pull old cartridge out
- 2- Lower the replacement cartridge into unit. Make sure to line up the white dot on cartridge with white dot on foam so cartridge inserts completely.
- 3- Re-attach connector, re-install particulate screen and replace grill.



## NOTE:

- 1- There is a slot in the foam for the replacement cartridge to slide into.
- 2- Align white dot on cartridge with white dot on foam.



Please check state and local requirements regarding disposal of the UV Lamp.



**LAMP CONTAINS MERCURY**

Manage in Accord with Disposal Laws,  
See: [www.lamprecycle.org](http://www.lamprecycle.org) or 1-800-484-9704